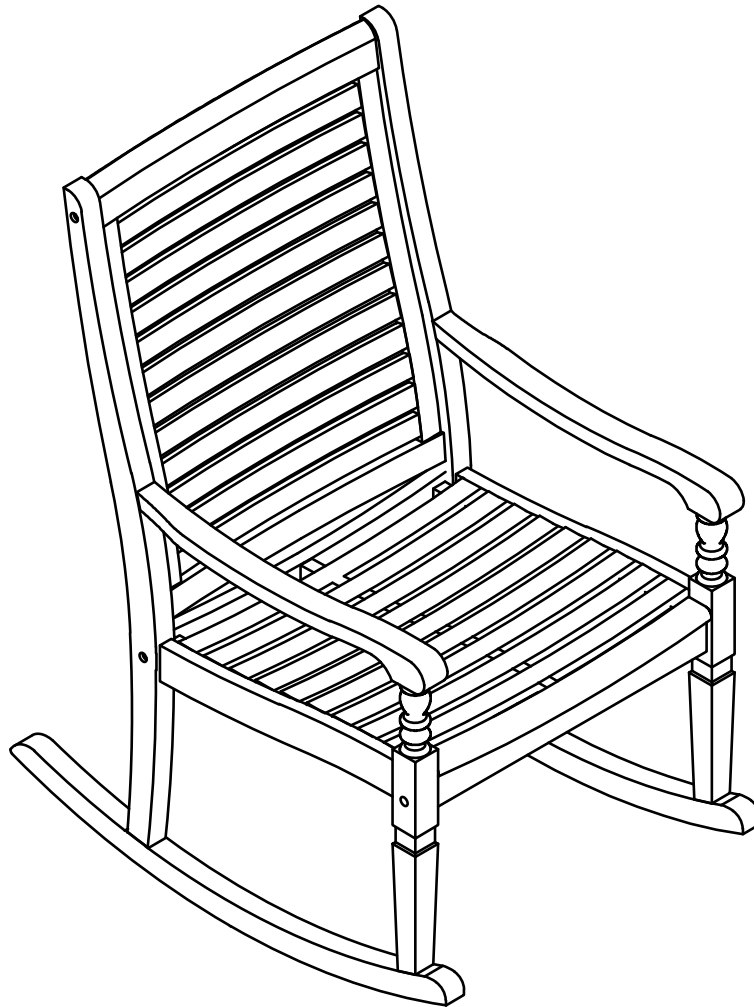







GR Product Name: Nantucket Rocking Chair
GR Product Number: 179670
Assembled Dimensions: 24.5" W x 33" D x 43" H



Prevent accidentally discarding small parts or hardware. Retain all carton contents until assembly and installation are complete.

 Assemble in location for intended use.

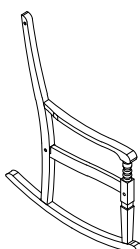
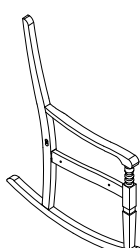
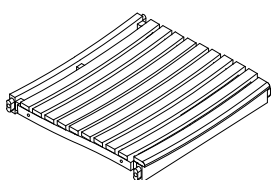
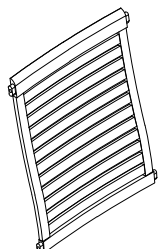
L.tr	Q.ty	Hardware included	
A	1		Allen key
B	10		Bolt M6X40
C	6		Wooden plug

REQUIRED TOOLS: NONE

-Two person assembly suggested.

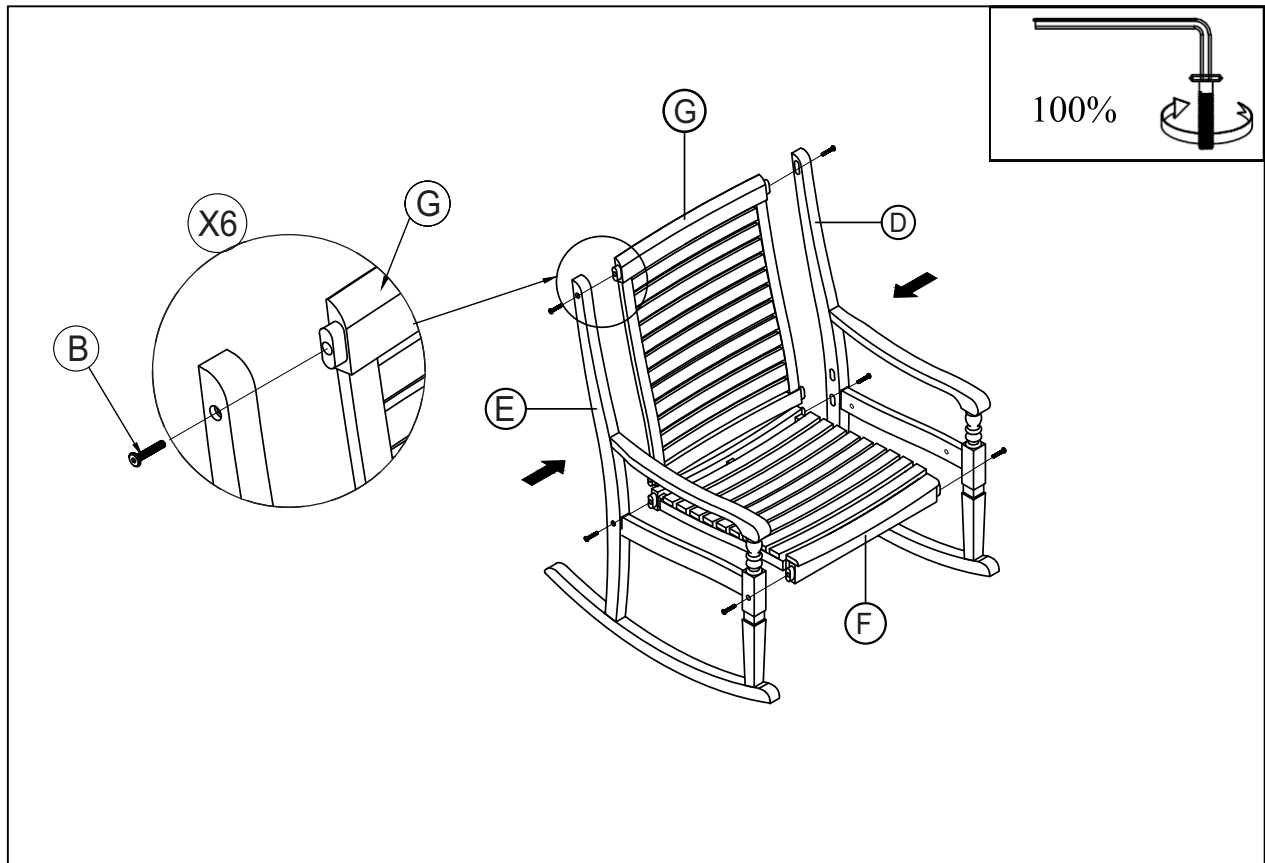
Remove all parts, hardware and protective packaging from carton and carefully arrange on a clean, level, padded surface.

ASSEMBLY TIME: 20 minutes (NOT including unpackaging or anchoring)

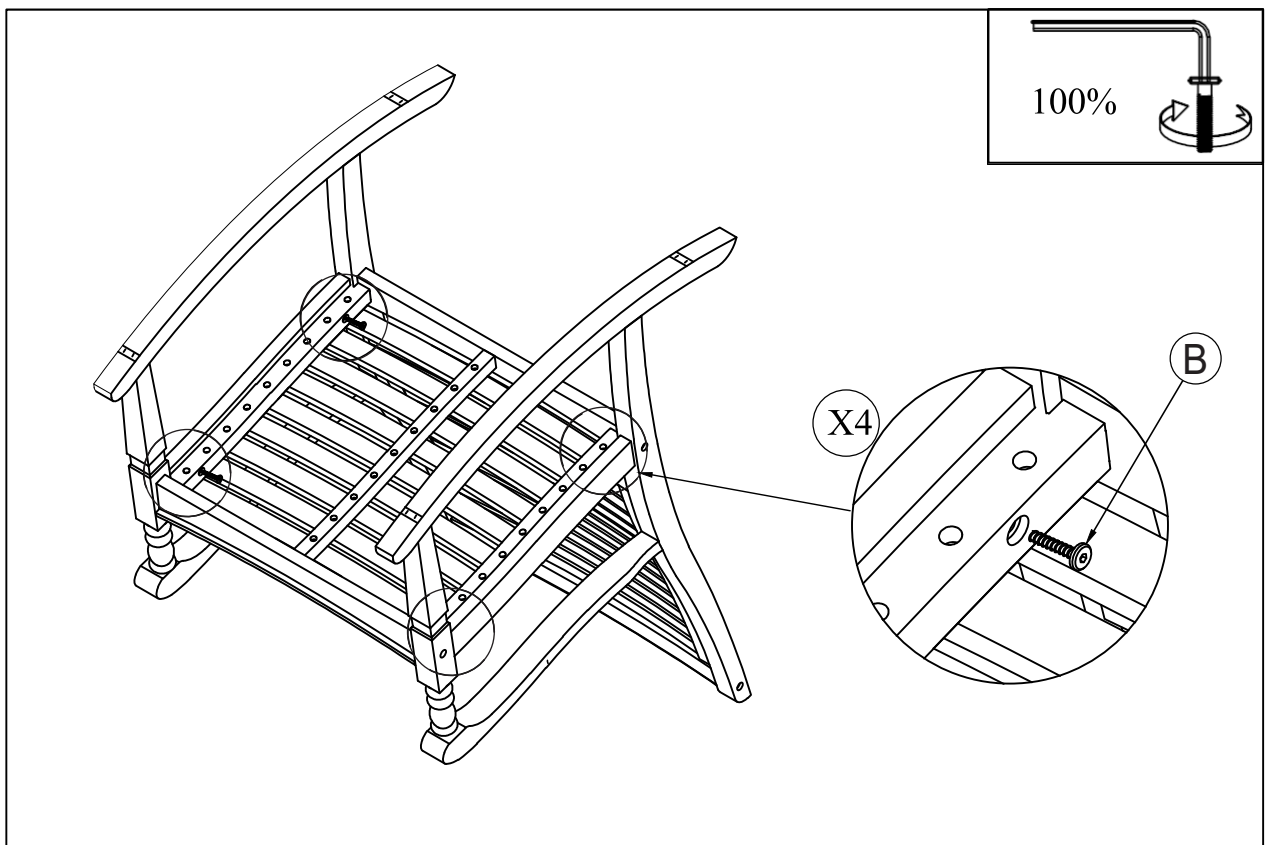
L.tr	Q.ty	Components	
D	1		Left armrest
E	1		Right armrest
F	1		Seat
G	1		Backrest



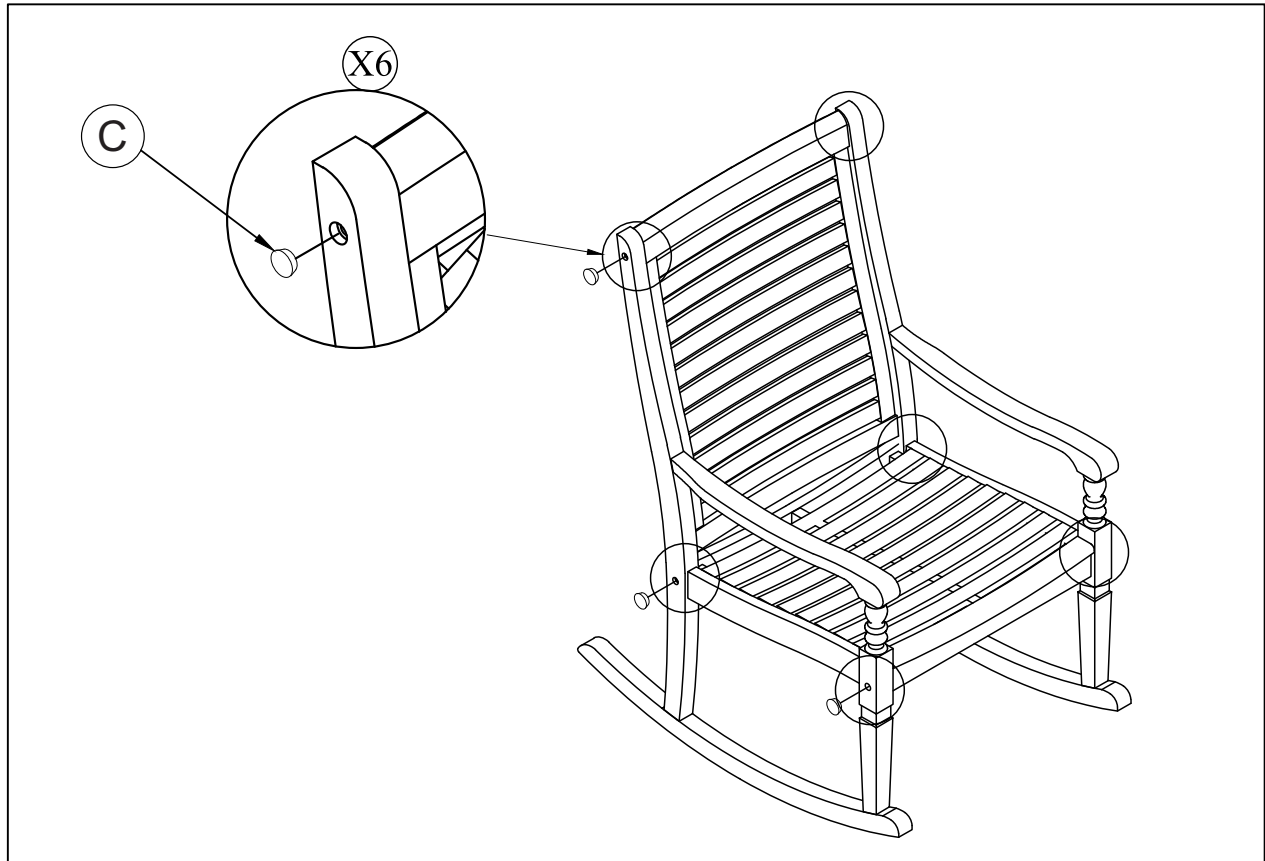
STEP 1: ATTACH THE BACKREST (G) AND THE SEAT (F) TO THE CHAIR ARM (D), (E) WITH BOLTS (B), USING ALLEN KEY (A), TIGHTEN COMPLETELY.



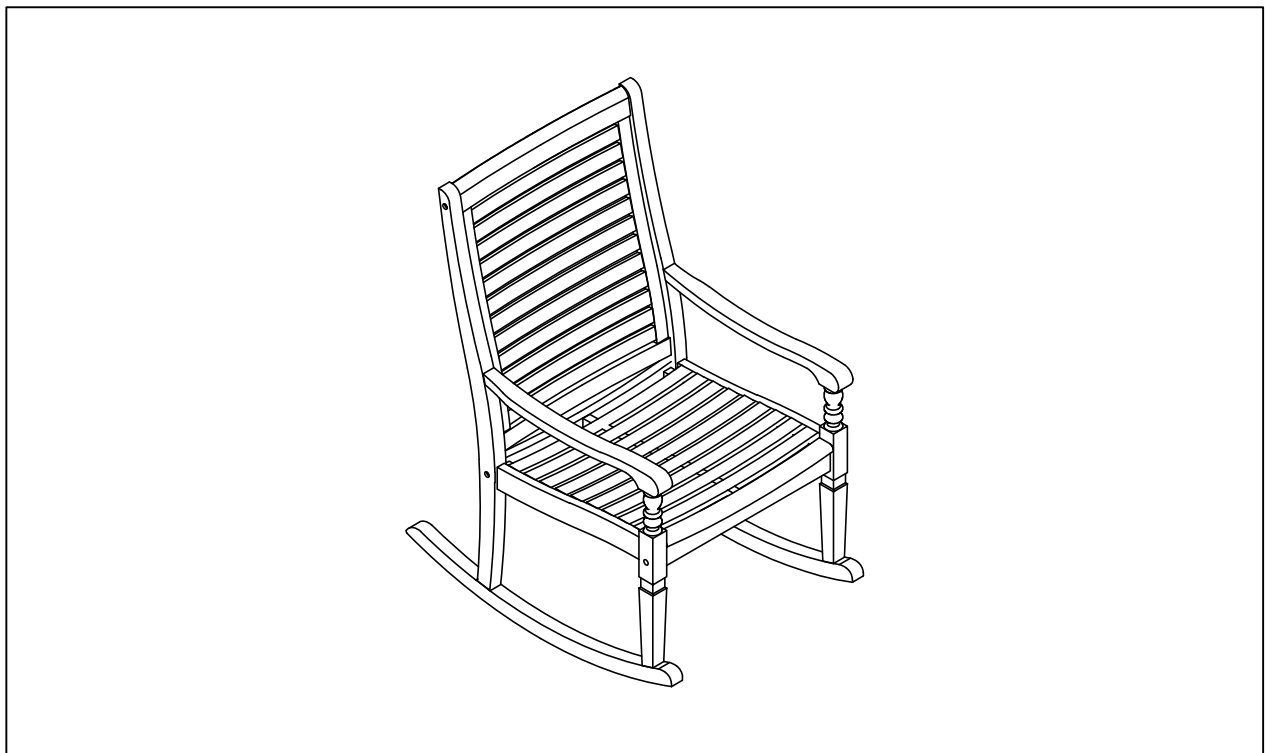
STEP 2: MOUNT WITH BOLTS (B) FROM THE SEAT (F) TO THE CHAIR ARM (D), (E), USING ALLEN KEY (A), TIGHTEN COMPLETELY.



STEP 3: PUSH WOODEN PLUGS (C) INTO THE HOLES ON THE CHAIR ARM (D), (E).



STEP 4: ASSEMBLY IS COMPLETE.



Please contact one of our Product Specialists for assembly assistance or questions at 1-800-491-4958 or email ps@grandinroad.com. Specialists are available weekdays 8:00am to 8:00pm EST or Saturday 9:30am to 6:00pm.



Product Specialist: 800-491-4958
Online: www.grandinroad.com