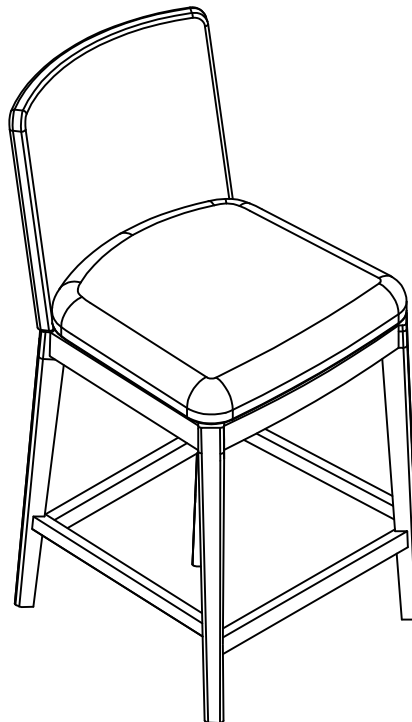




GR Product Name : SANIBEL SWIVEL COUNTER STOOL
GR Product Number : 182409
Assembled Dimension : W.18.30" X D.20.75" X H.35.75"



Prevent accidentally discarding small parts or hardware. Retain all carton contents until assembly and installation are complete.



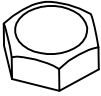
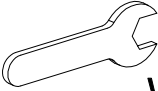
PRODUCTS ARE NOT INTENDED
FOR COMMERCIAL USE

MADE IN INDONESIA

UPDATE: 07/10/2024

Page 1 OF 4

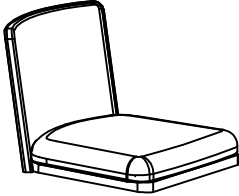
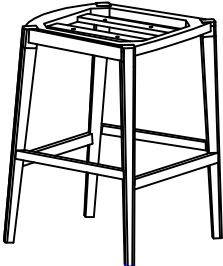
▲ Assemble in location for intend use.

Ltr.	Qty	Included Hardware
A	4	 SPRING WASHER M8 x Ø13
B	4	 FLAT WASHER M8 x Ø17
C	4	 HEXAGONAL NUT M8 x Ø12
D	1	 WRENCH 12 MM

Two person assembly suggested.

Remove all parts, hardware and protective packaging from carton and carefully arrange on a clean, level, padded surface.

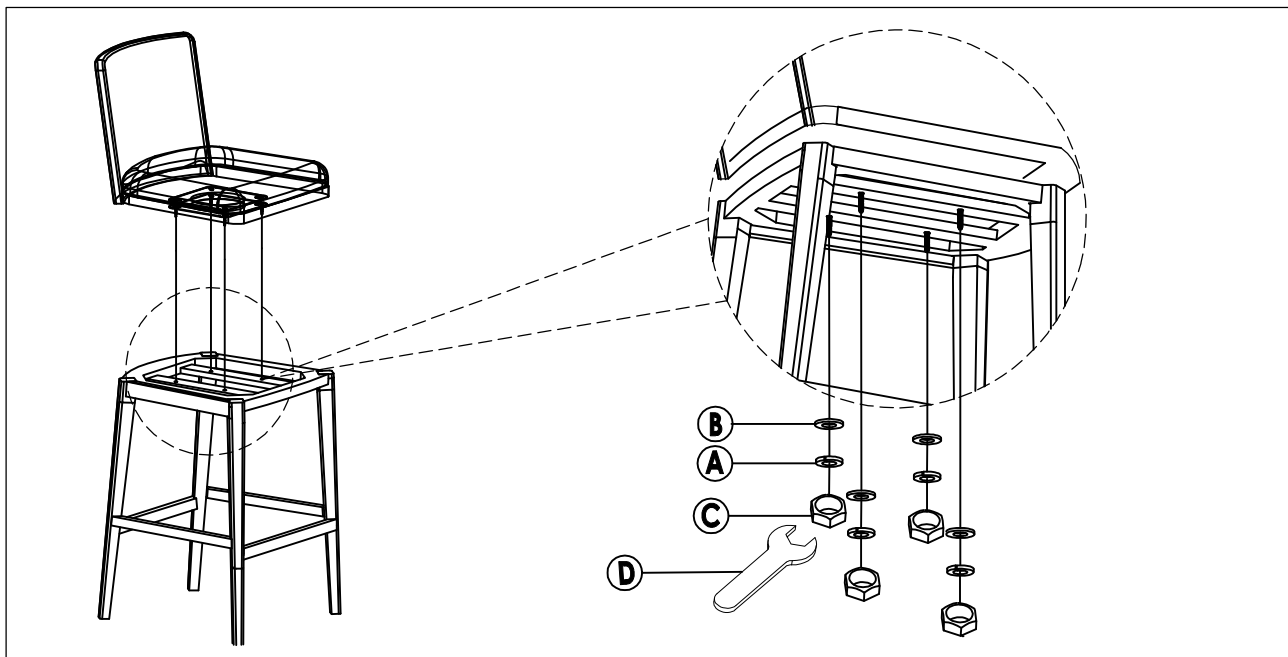
ASSEMBLY TIME: fifteen minutes

No.	Qty.	Components
1	1	 Seat
2	1	 Leg

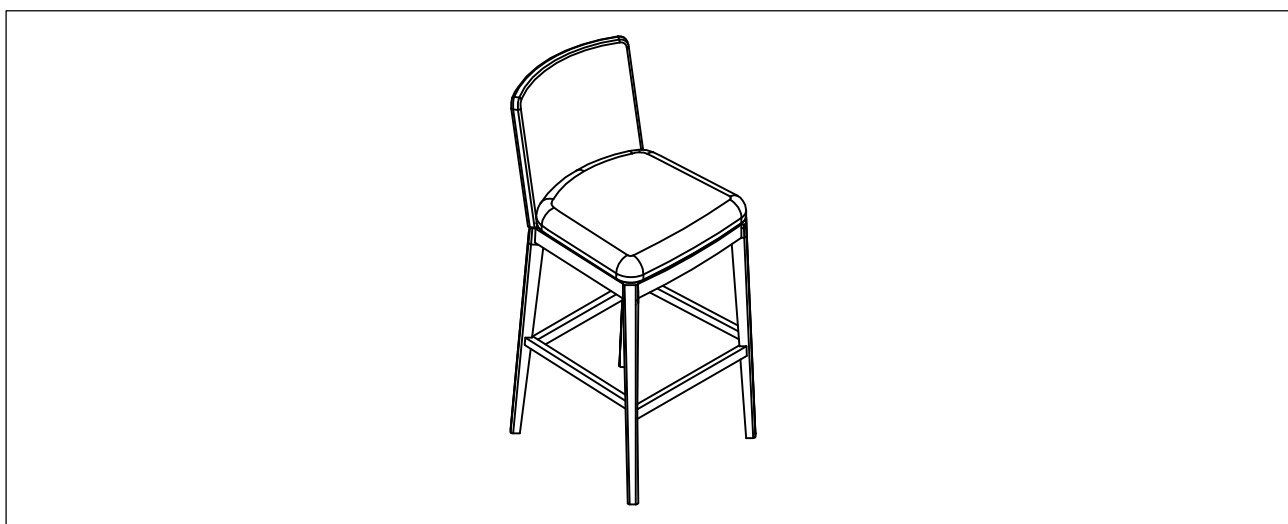


STEP 1 : Insert the threaded bolts on the Seat (1) in to the holes on the Leg (2) as shown.

STEP 2 : Attach the Flat Washer (B), Spring Washer (A), and Hexagonal Nut (C) on the threaded bolt secure them by turning the Hexagonal Nut (C) clockwise using Wrench (D) until tightened. Repeat this step to install remaining Hexagonal Nuts (C).



Assembly is completed.



Care & Maintenance

- Do not put hot items directly on furniture surface.
- Do not clean furniture with harsh cleanser or polish.
- Do not place furniture near heating or cooling vents.
- Do not write on furniture without a padded barrier to protect the surface.
- Store furniture or use an appropriate furniture cover during cold or inclement weather.
- Dust and pick-up spills using a clean, not-colored, lint-free cloth.

Please contact one of our Product Specialists for assembly assistance or questions at 1-800-491-4958 or email ps@grandinroad.com. Specialists are available weekdays 8:00am to 8:00pm EST or Saturday 9:30am to 6:00pm.