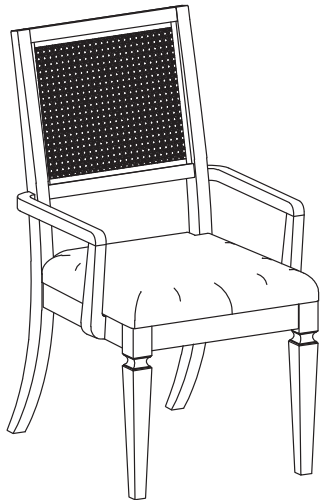


PRODUCT NAME : Livingston Dining Armchair Weathered Ebony  
 ITEM NUMBER : 180539 WEE  
 DIMENSIONS : 24" (L) X 22"(W) X 38"(H)



**PARTS LIST:**

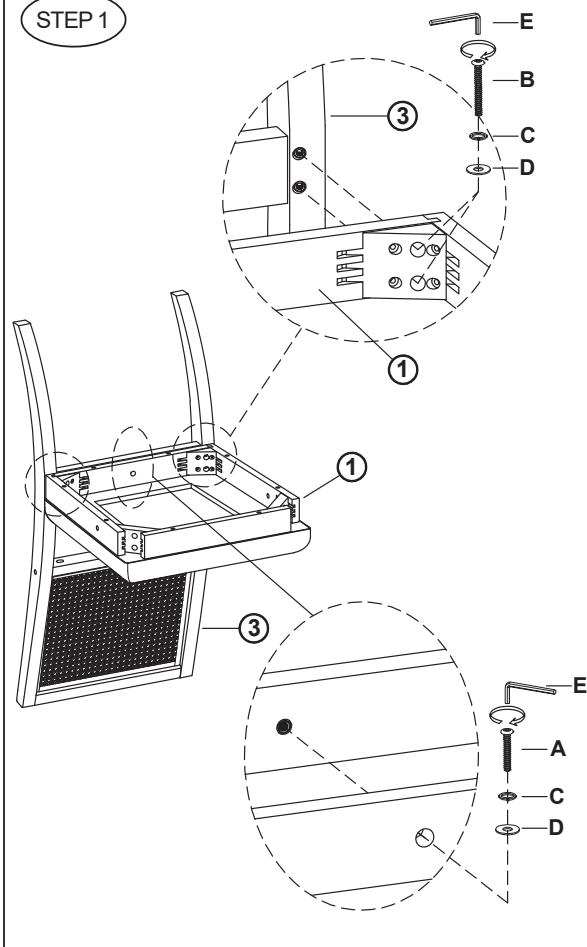
SEAT CUSHION-FRAME: 1PC	FRONT LEGS: 2PCS
BACK LEG-FRAME: 1PC	LEFT ARM : 1PC
	RIGHT ARM : 1PC

⑥

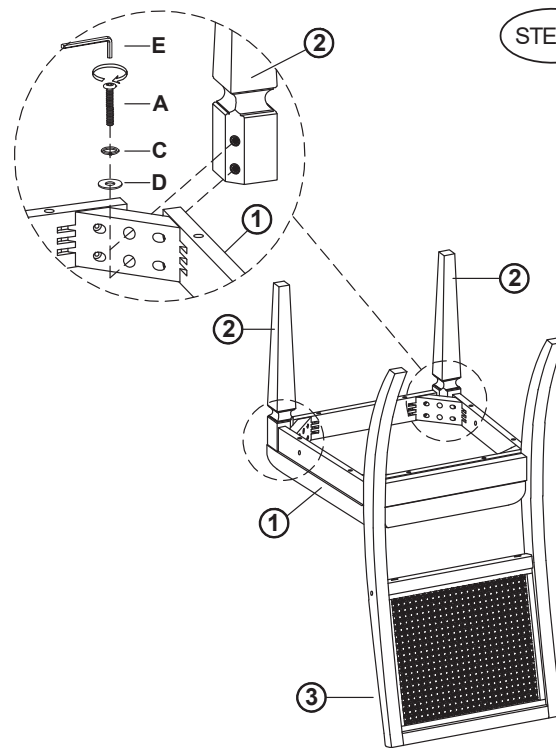
**HARDWARE LIST**

NO.	Drawing	Description	Q'ty
A		Bolt (Ø5/16"x2")	5pcs
B		Bolt (Ø5/16"x3")	4pcs
C		Spring Washer (Ø5/16")	9pcs
D		Flat Washer (Ø5/16"x22mm)	9pcs
E		Allen Key (4mm)	1pc
F		Bolt (Ø1/4"x1-1/2")	2pcs
G		Spring Washer (Ø1/4")	2pcs
H		Flat Washer (Ø1/4"x19mm)	2pcs
I		Screw (Ø8x1-1/4"mm)	2pcs

STEP 1



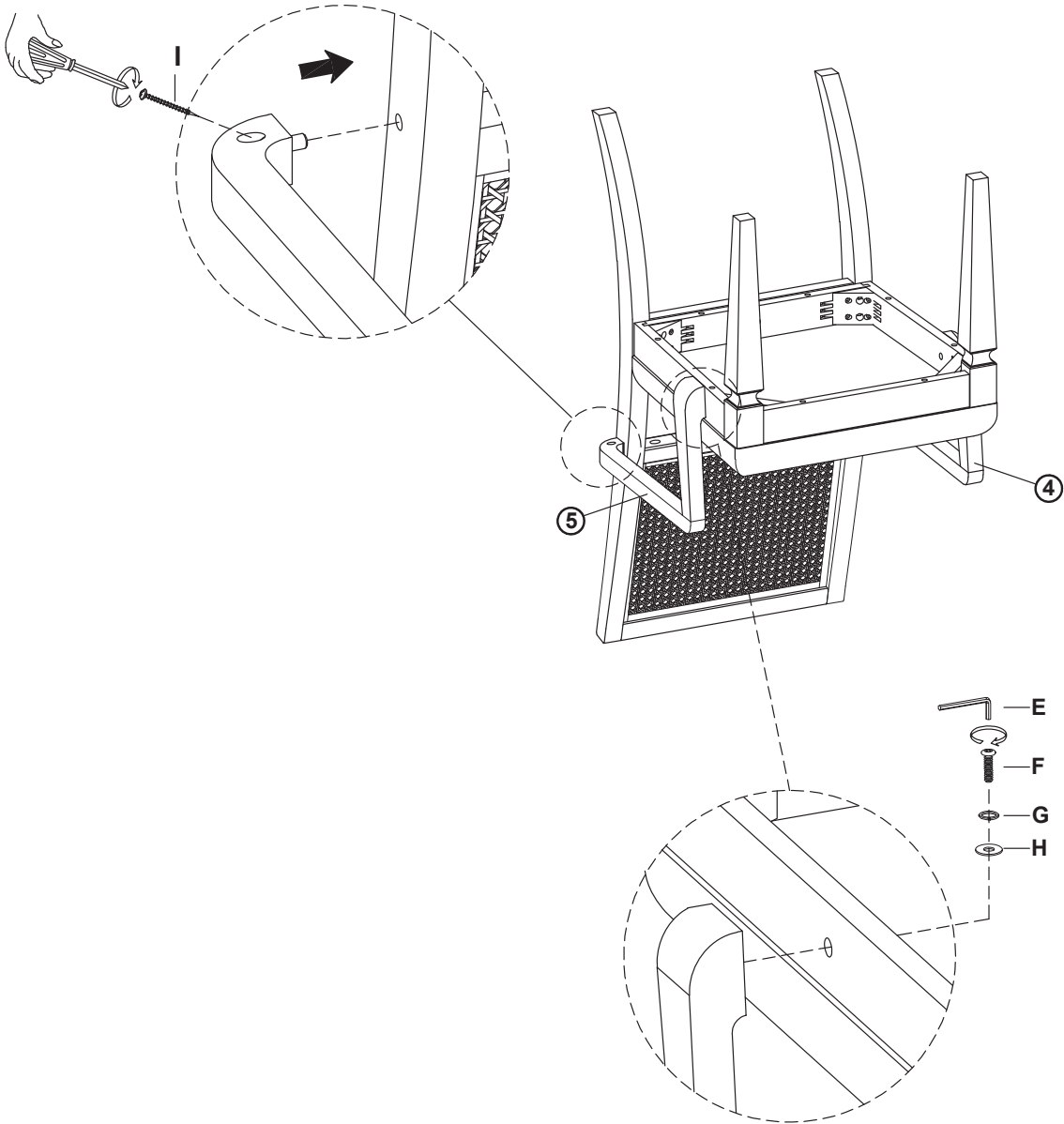
STEP 2



**CLEANING INSTRUCTION**

Clean the Panel Back Arm Chair surface with a furniture polish and soft cloth.

STEP 3



**CLEANING INSTRUCTION**

Clean the Panel Back Arm Chair surface with a furniture polish and soft cloth.

# Chair Assembly Tips

Having some trouble putting together your new furniture? We can help! The key to correct chair assembly is to loosely attach all of the bolts, then gradually tighten them in succession until all of them are secure. Completely tightening one or more bolts prematurely can result in the following:

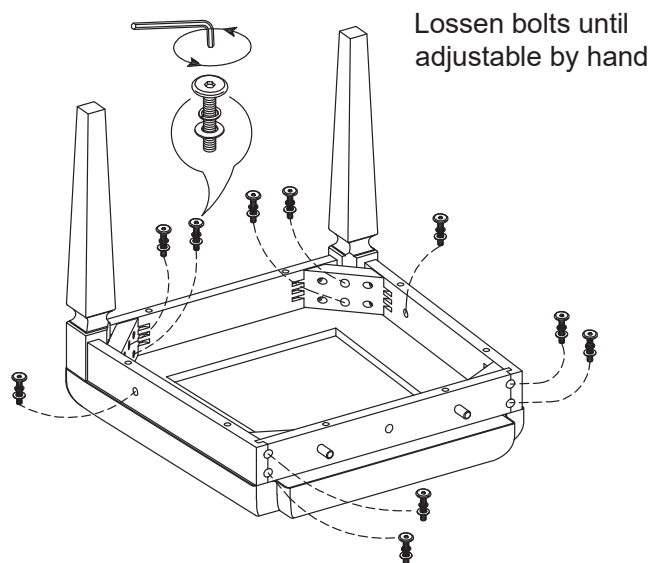
## ISSUE: CHAIR IS UNLEVELED

### Cause:

. Chairs can be wobbly or unlevelled if one or more bolts are fully tightened before all bolts are attached and/or tightened.

### Solution:

. Loosen each bolt in the seat box (front legs, back corner-blocks and back apron) until they're finger tight. Place the chair upright on the floor. Press firmly and evenly on the seat edges until the product sits level but do not lean against the chair back. Once the chair sits level on the desired surface, fully tighten each bolt.



### Cause:

. Chairs can be wobbly or unlevelled if assembly is completed in a different room or surface than where the product is intended to primarily reside.

### Solution:

. When assembling your chair, make sure to do it in the location that the chair will most often be used. Uneven flooring frequently accounts for wobbling issues.

## ISSUE: HOLES ARE MISALIGNED

### Cause:

. This issue can occur when some bolts are tightened fully before all other bolts are tightened or attached.

### Solution:

. Loosen each bolt in the seat box (front legs, back corner-blocks and back apron) until finger tight. This will allow you to realign the holes and properly fasten the bolts to the frame.

## CLEANING INSTRUCTION

Clean the Panel Back Arm Chair surface with a furniture polish and soft cloth.

### Grandinroad:

Please contact one of our Product Specialists for assembly assistance or question at 1-800-491-4958 or email [ps@grandinroad.com](mailto:ps@grandinroad.com)