



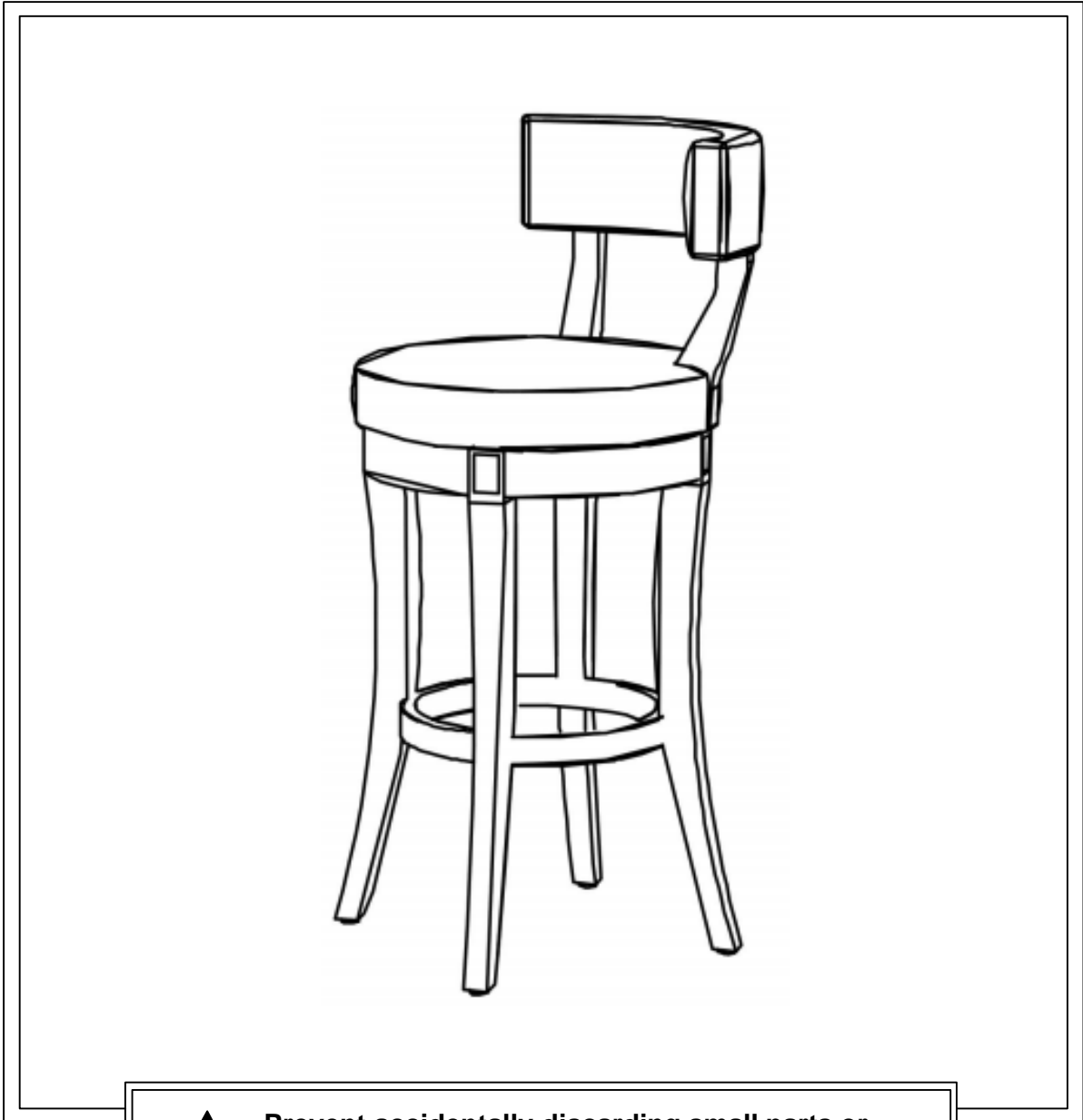
GR Product Name: AIKEN LOW BACK STOOL

Product Number: 179642 / 179643

Assembled Dimensions: 22"W x 22,5"D x 36"H / 42"H



Product Specialist: 800-491-4958
Online: www.grandinroad.com



Prevent accidentally discarding small parts or hardware. Retain all carton contents until assembly and installation are complete.





PRODUCTS ARE NOT INTENDED
FOR COMMERCIAL USE.

MADE IN VIETNAM

UPDATED: 03/12/2024

Page 1 of 4

Assemble in location for intended use.

Ltr.	Qty.	Hardware Included	
A	4	Bolts (Ø5/16*1-1/4")	
B	4	Lock Washer (Ø5/16")	
C	4	Flat Washer (Ø5/16*22*1.5mm)	
D	1	Allen Key (M5*68mm)	

REQUIRED TOOLS:

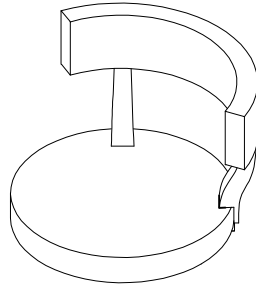
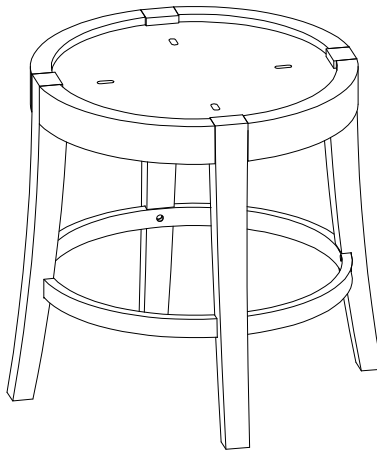


Screwdrivers

-Two person assembly suggested.

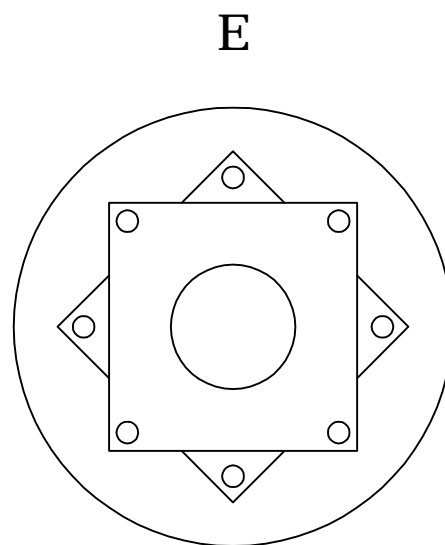
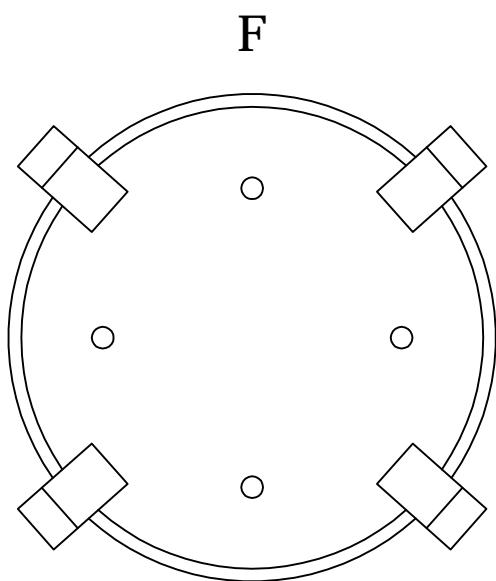
Remove all parts, hardware and protective packaging from carton and carefully arrange on a clean, level, padded surface.

ASSEMBLY TIME: 5 minutes

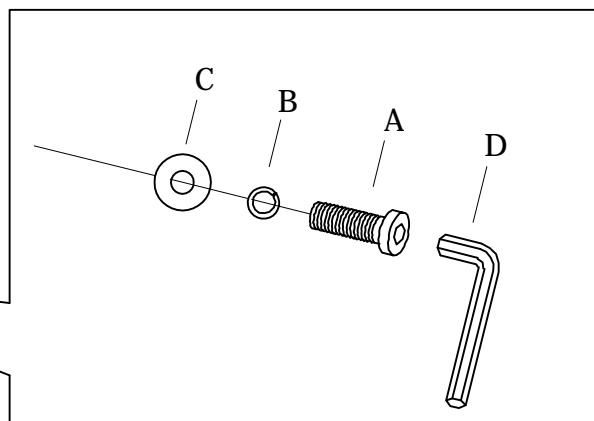
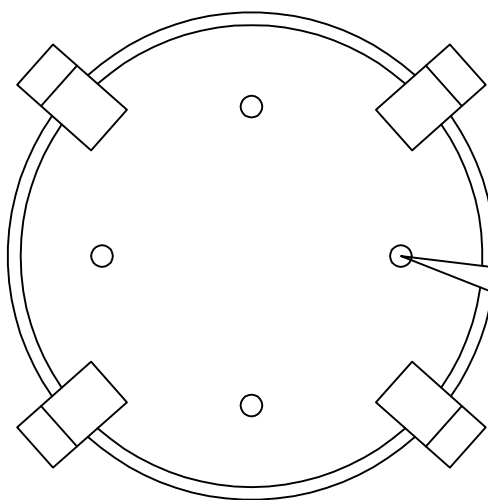
Ltr.	Qty.	Components	
E	1	Top Seat	
F	1	Base Frame	



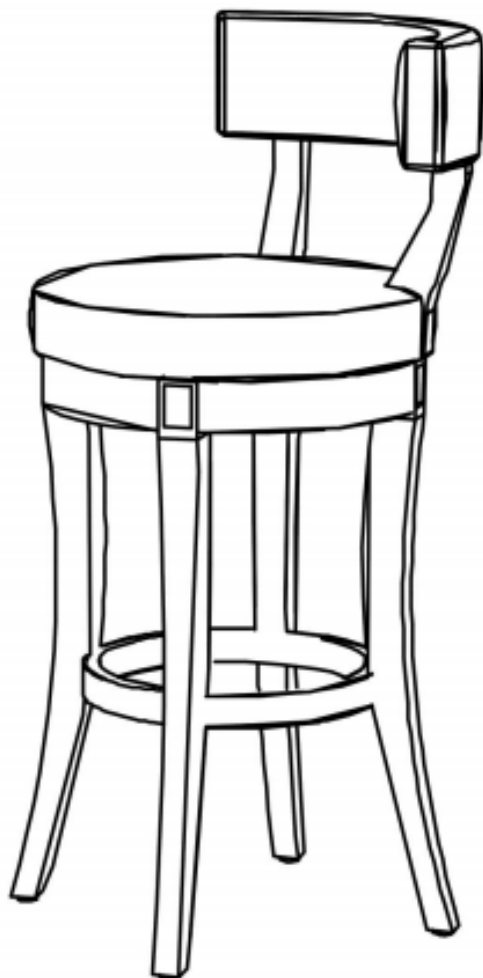
STEP 1: Take off the hardware bag from the base carton .Turn the base frame over and turn the top seat over too ,Then put the base frame onto the bottom of top seat .Make sure the holes on the swivel device match the holes on the base.



STEP 2: Using the bolts ,lock washer and flat washer to connect top seat and base frame, until tight and secure. Repeat for all other holes



STEP 3: Turn the stool over again and place it upright on a level surface.



CLEAN WITH SOFT CLOTH ONLY.

Please contact one of our Product Specialists for assembly assistance or questions at 1-800-491-4958 or email ps@grandinroad.com. Specialists are available weekdays 8:00am to 8:00pm EST or Saturday 9:30am to 6:00pm.



Product Specialist: 800-491-4958
Online: www.grandinroad.com