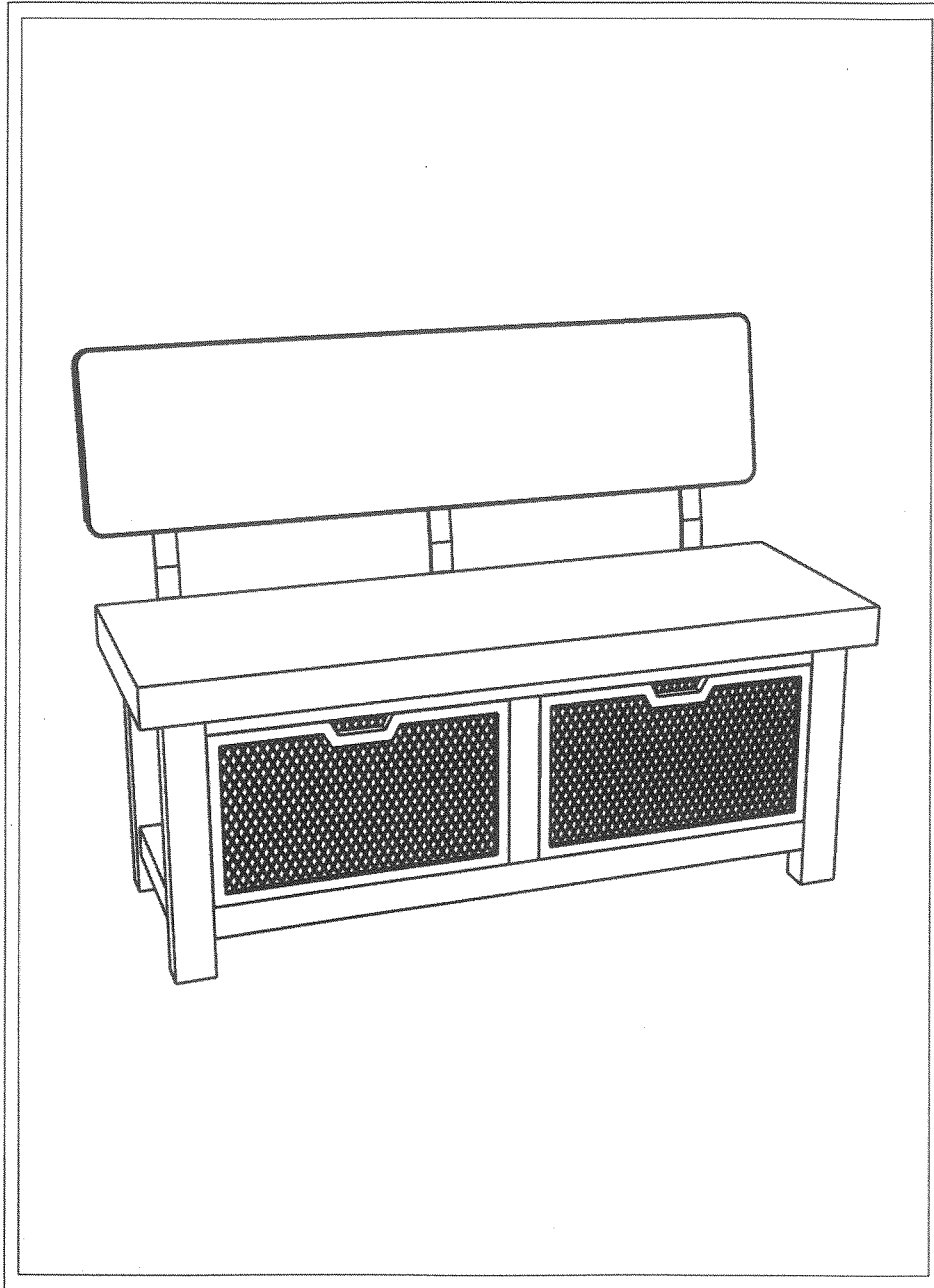


grandinroad.







PRODUCT NAME: Parker Entryway Bench - Caramel
ITEM NUMBER: 166713 CAR

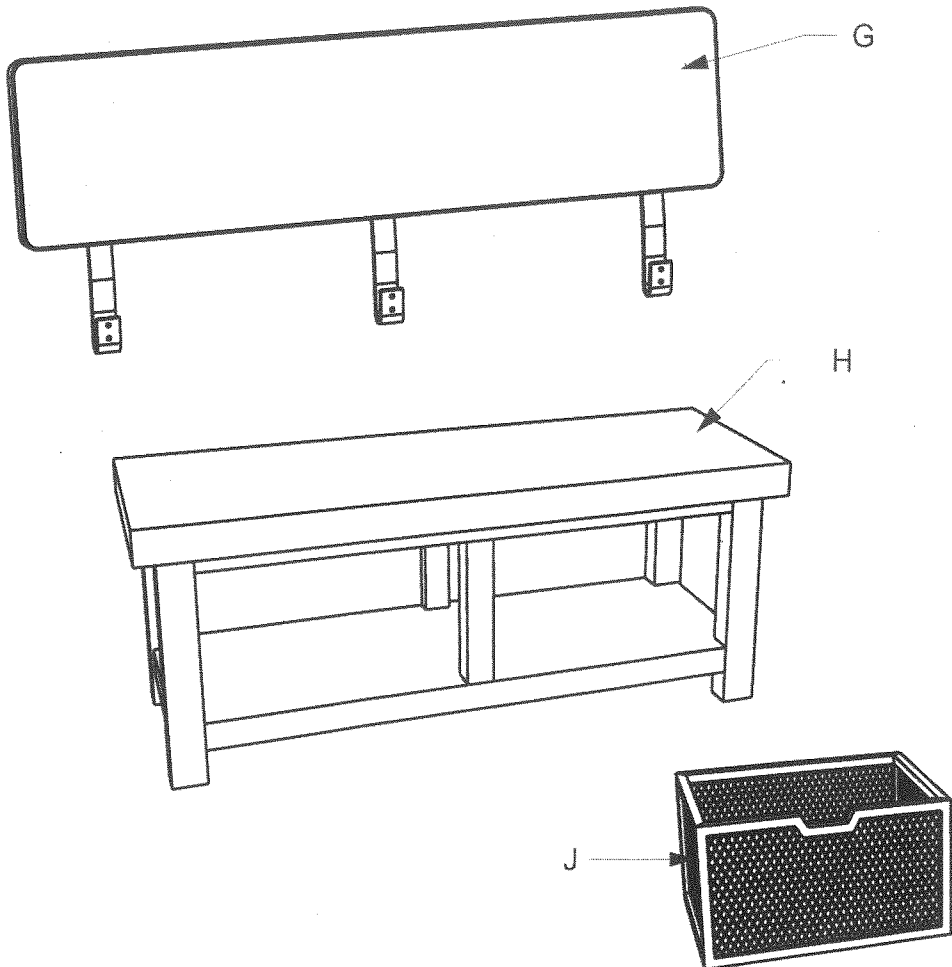


PRODUCTS ARE NOT INTENDED
FOR COMMERCIAL USE.

MADE IN INDIA
Page 1 of 4

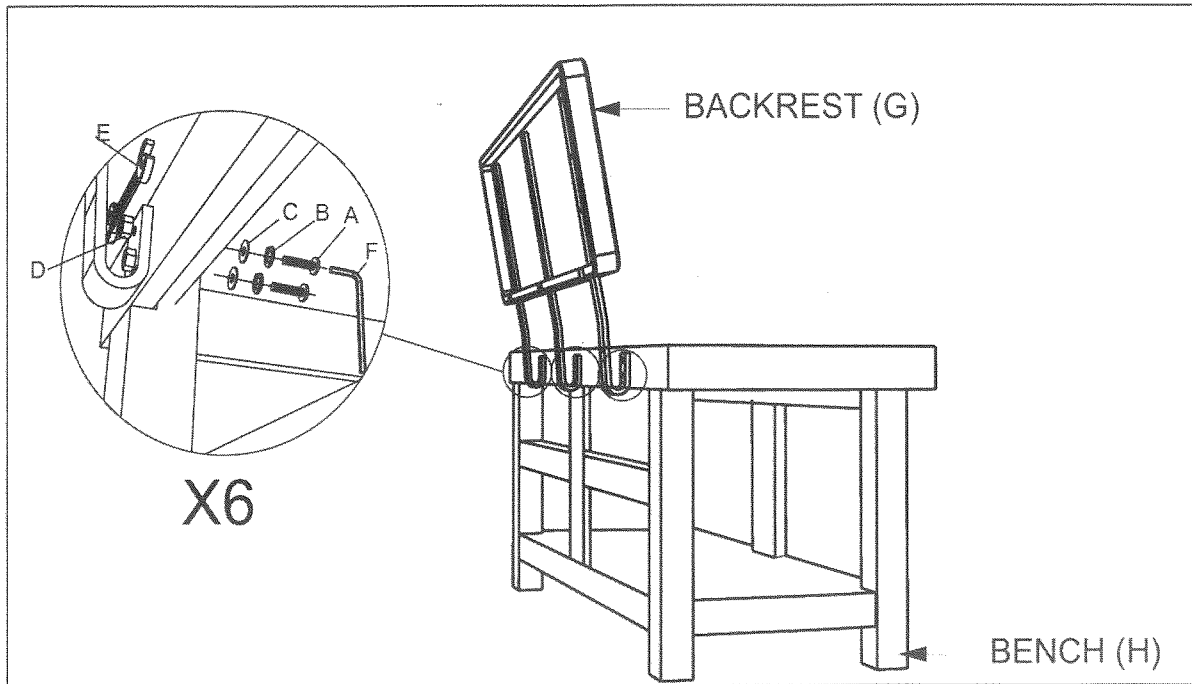
Chart listing all hardware as well as the individual components that are included with piece.
Assign each piece a letter and list quantity.

Ltr.	Qty.	Hardware Included	
A	6		Allen Bolt 2.5"
B	6		Lock Washer 5/16"
C	6		Washer 5/16"
D	6		Hex Nut 5/16"
E	1		Wrench 13mm
F	1		Allen Key

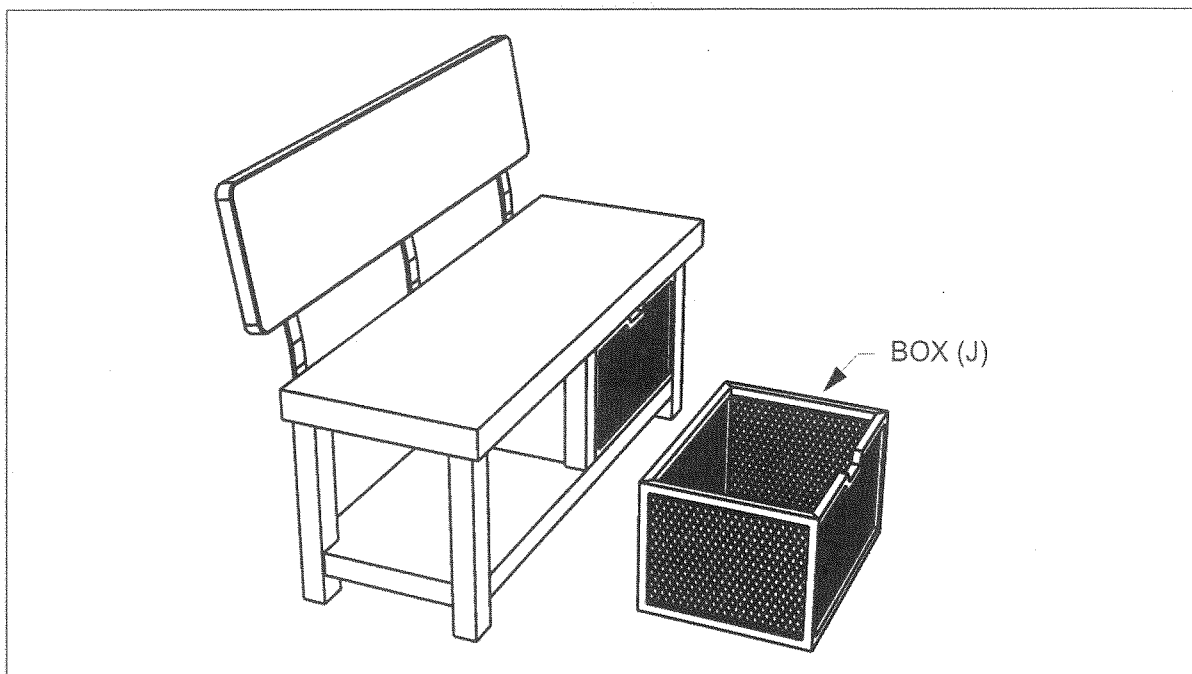
Ltr.	Qty.	Components	
G	1		
H	1		
J	2		

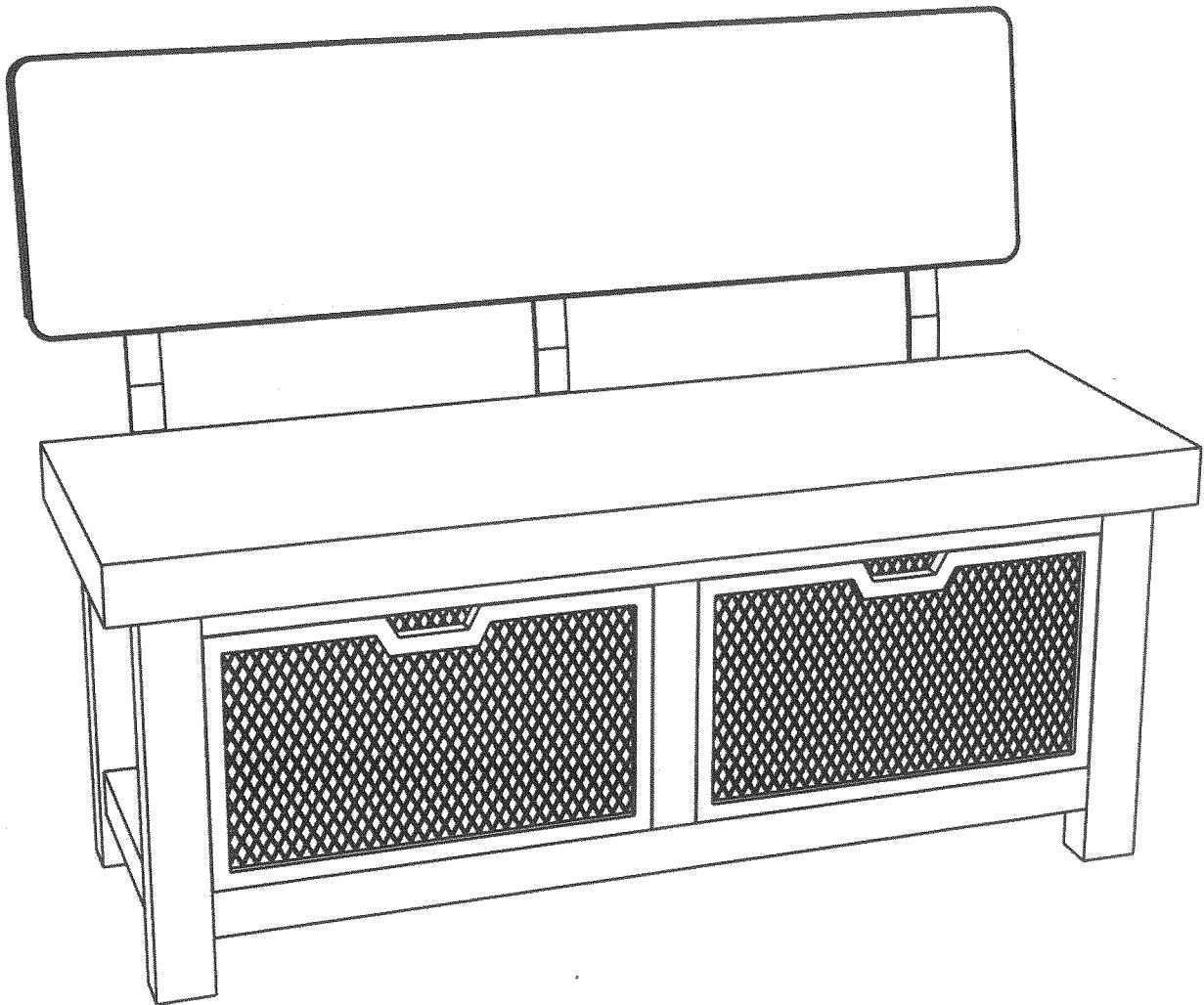
PRODUCTS ARE NOT INTENDED
FOR COMMERCIAL USE.

STEP 1: Carefully place the backrest (G) and align with holes on back of the bench (H) than place and screw the allen bolt (A), lock washer (B), and washer (C) into the holes from underneath place the hex nut into the U bracket and tighten the bench with wrench (E)



STEP 2: Place the boxes (J) into the bench (H)





CARE & MAINTENANCE INSTRUCTION:

Clean with Dry Cloth

Grandinroad: Please contact one of our Product Specialists for assembly assistance or questions at
1-800-537-8484

or

email grprodspec@cornerstonebrands.com.

PRODUCTS ARE NOT INTENDED
FOR COMMERCIAL USE.