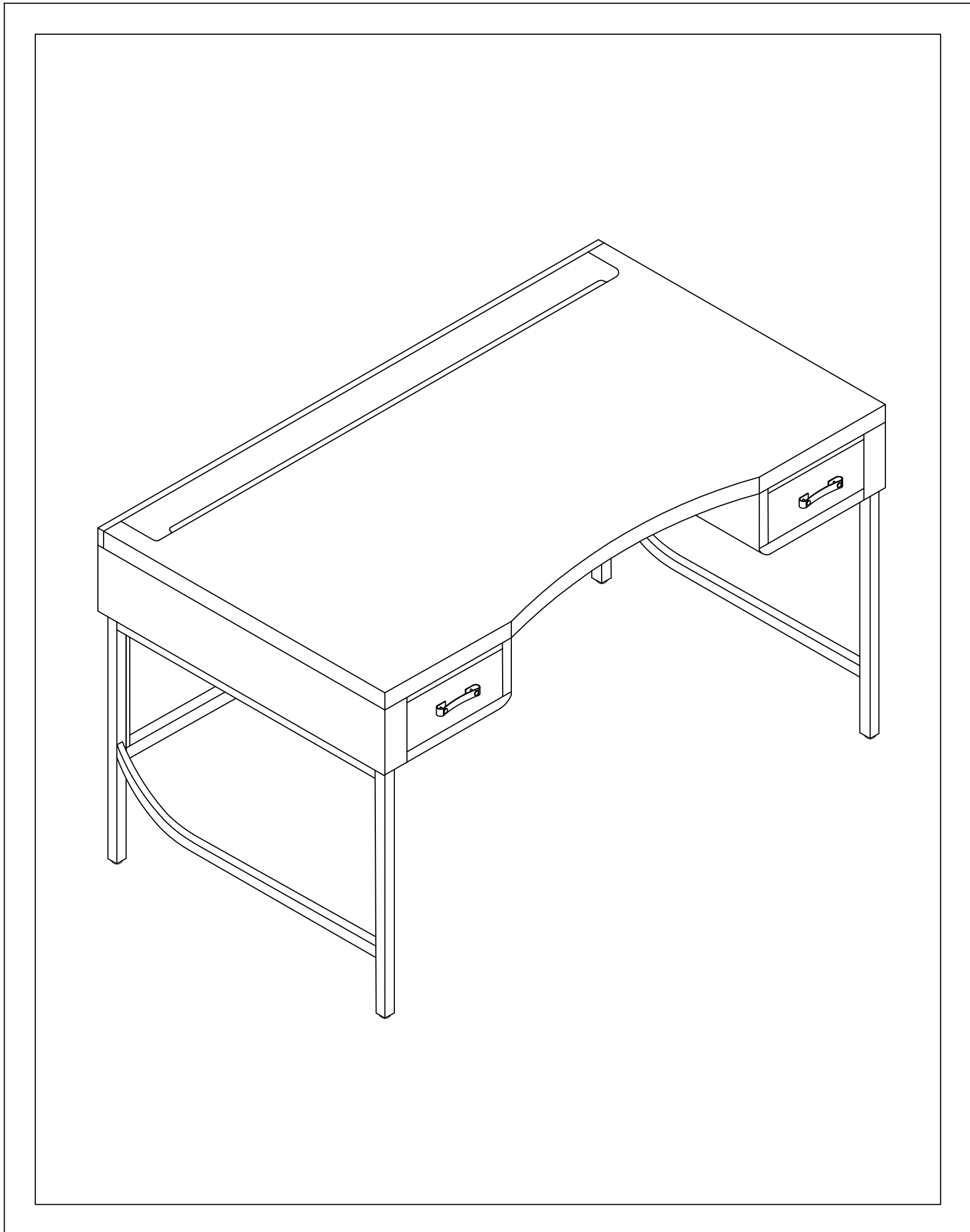
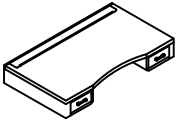
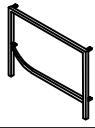
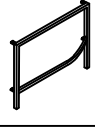
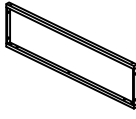







PRODUCT NAME: LANGSTON DESK

ITEM NUMBER: 179009

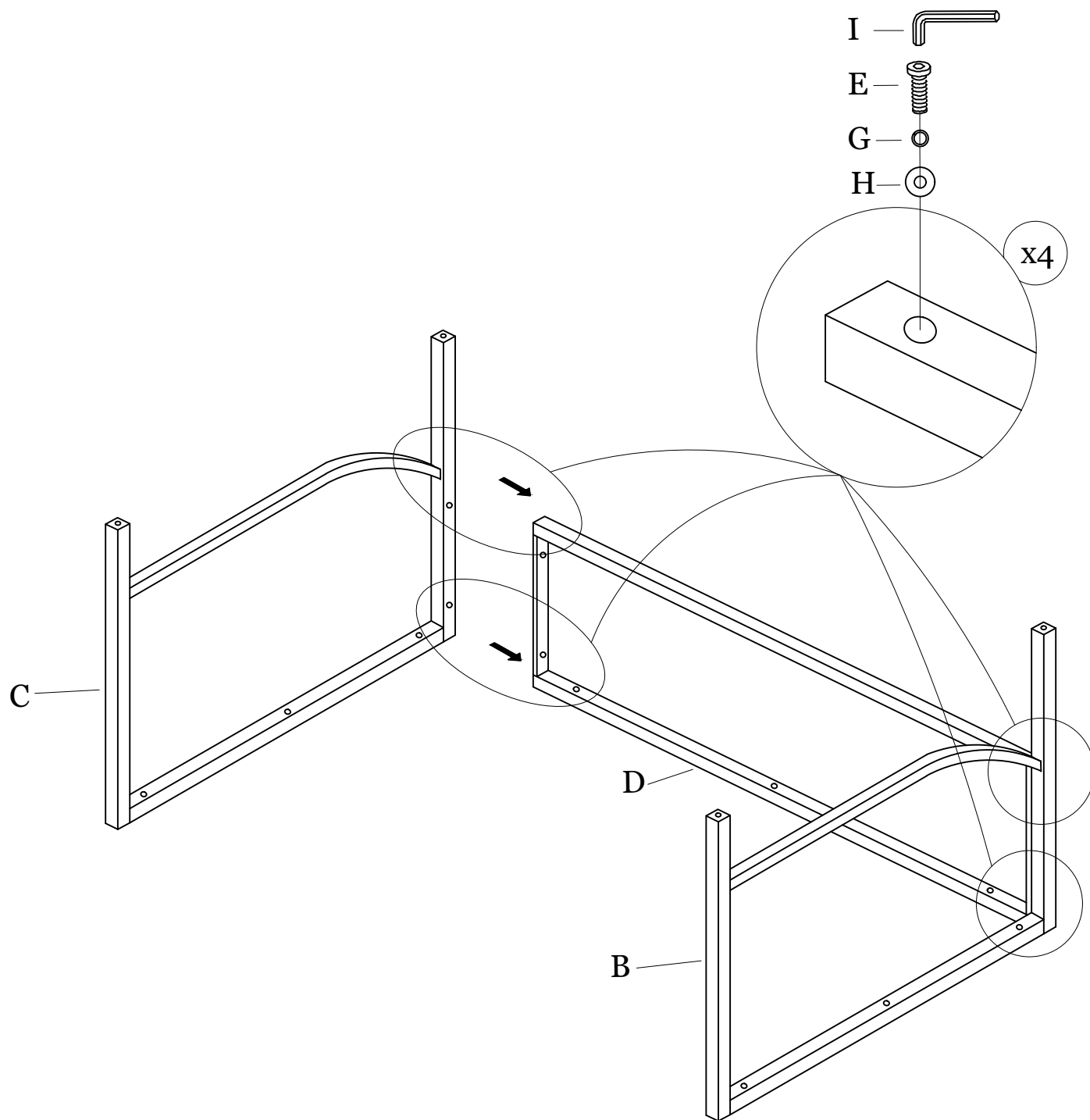
DIMENSIONS OF ITEM ASSEMBLED: 53"W x 30"D x 30.25"H



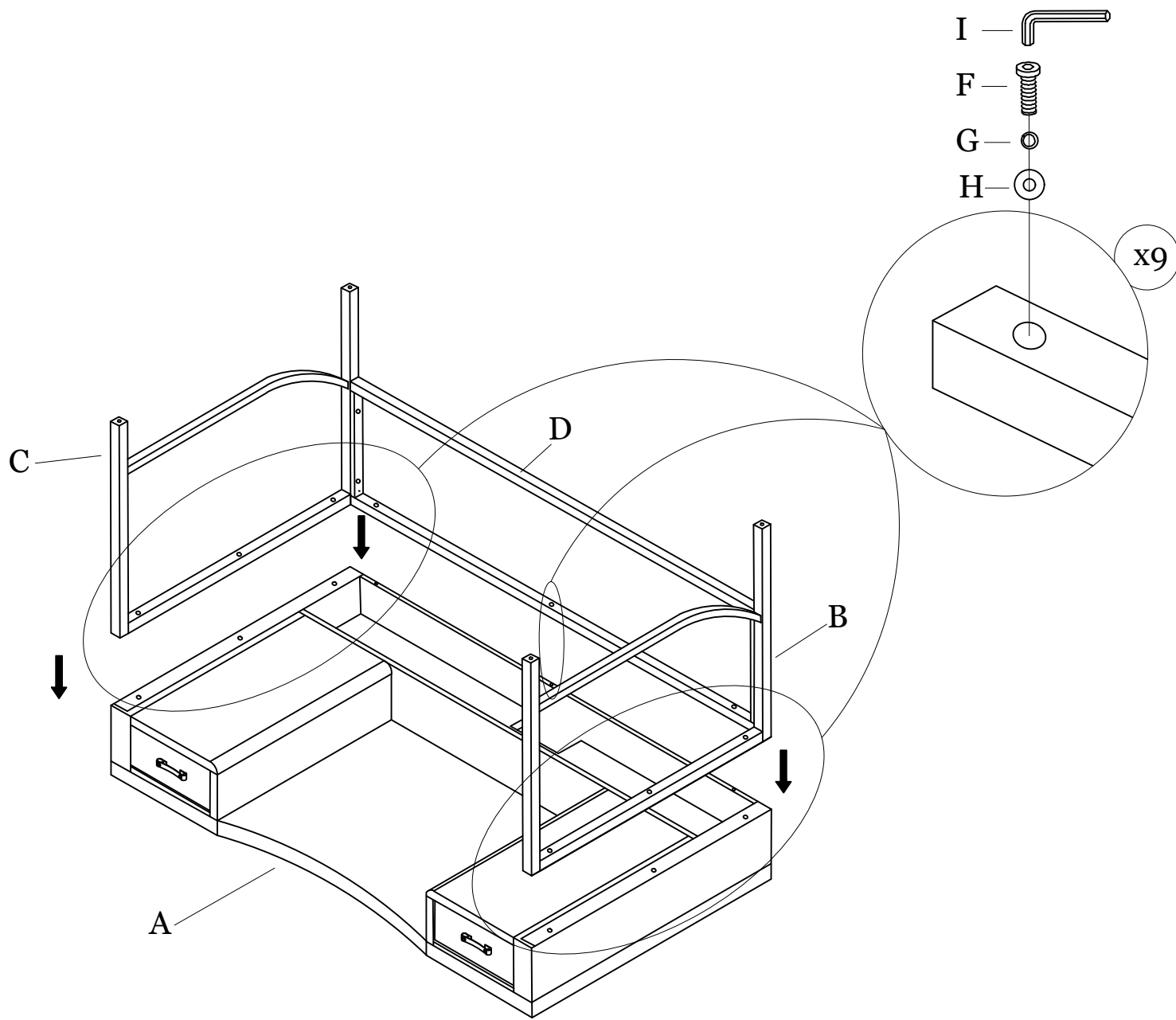
Parts#	Name	Drawing	Qty
A	Table Top		1
B	Left Leg Frame		1
C	Right Leg Frame		1
D	Front Leg Frame		1

Hardware list			
E	Bolts	 Ø1/4" * 1-3/8"	4
F	Bolts	 Ø1/4" * 1-3/4"	9
G	Lock Washer	 Ø1/4"	13
H	Flat Washer	 Ø1/4" * 19mm	13
I	Allen key	 M4*68mm	1

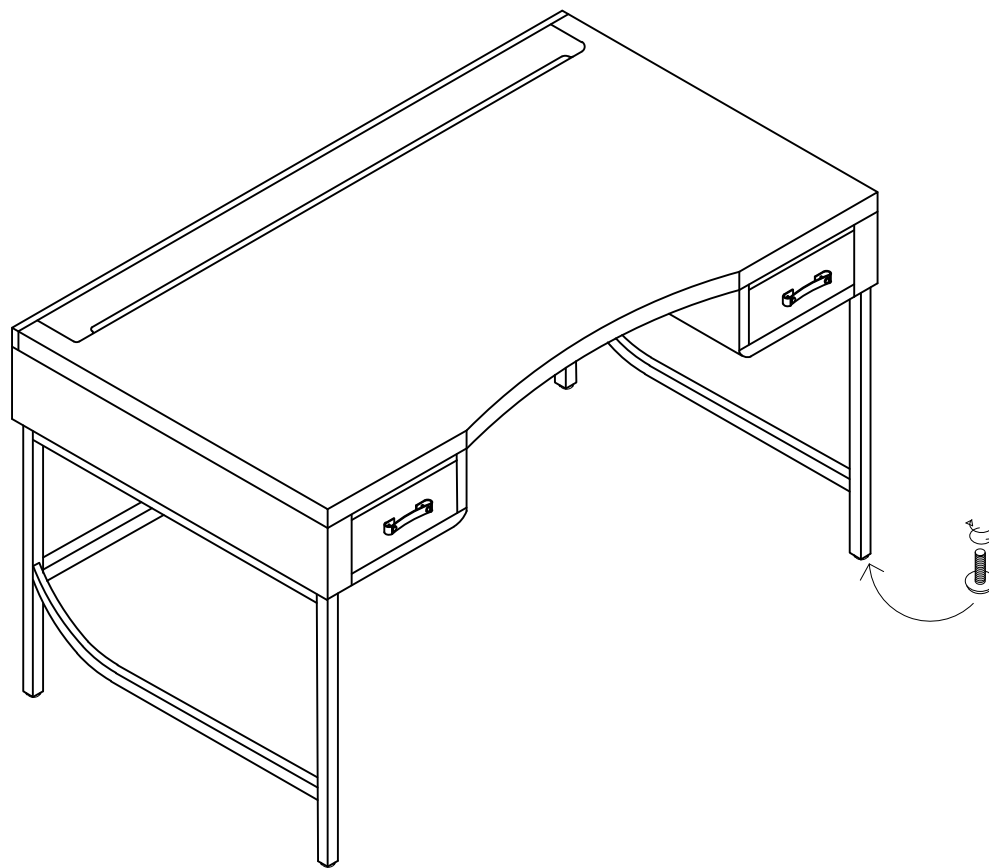
Step 1



Step 2



Step 3 Complete



Cleaning & Care:
Spot clean only