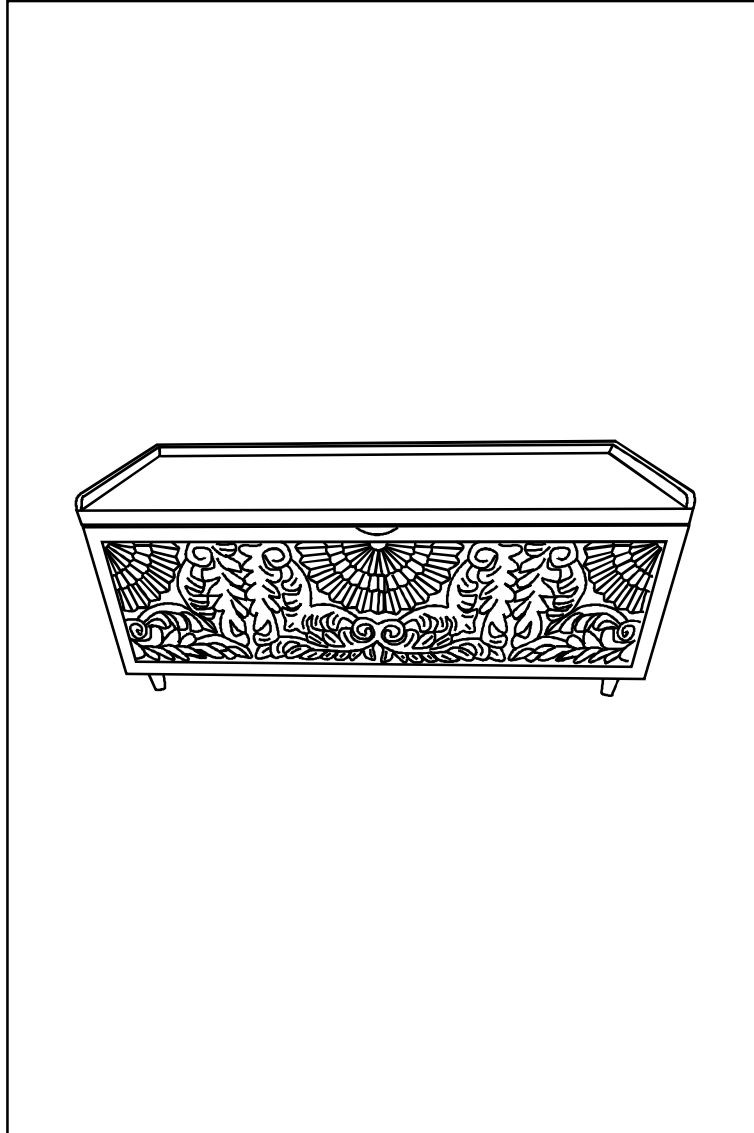


# grandinroad®

PRODUCT NAME : WOODEN HELENA CARVED BENCH  
ITEM NUMBER : 177691  
DIMENSIONS : 50" (L) X 18"(W) X 21"(H)

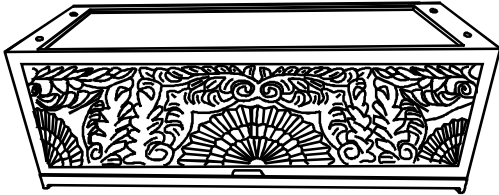
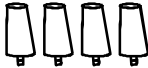
Customer Service : 800-491-4958  
Online : [www.grandinroad.com](http://www.grandinroad.com)



PRODUCTS ARE NOT INTENDED  
FOR COMMERCIAL USE.

MADE IN INDIA  
PAGE 1 OF 5

## List of all hardware and components that are included in the packaging

Ref.	Qty.	Components
A	1	 <p>Bench</p>
B	4	 <p>Legs</p>



- Unpack all hardware bags and components to ensure you have all parts.



- Read instructions cover to cover.



- Have two adults on hand for assembly.



- Do not assemble on flooring or carpet.



- Assemble on a clean non-marring surface (packing foam).

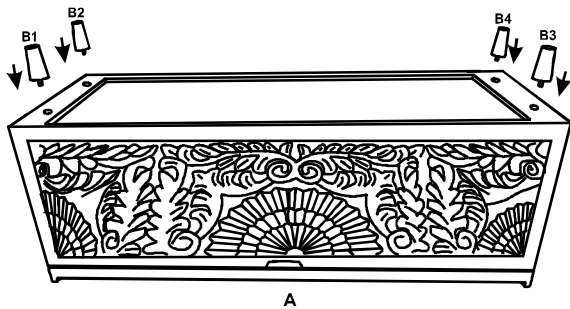


- Save all packaging until finished.

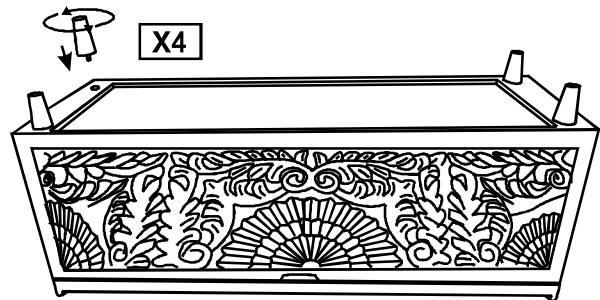


- In case of missing parts, please contact our grandinroad customer service at 1-800-537-8484.

### STEP 1



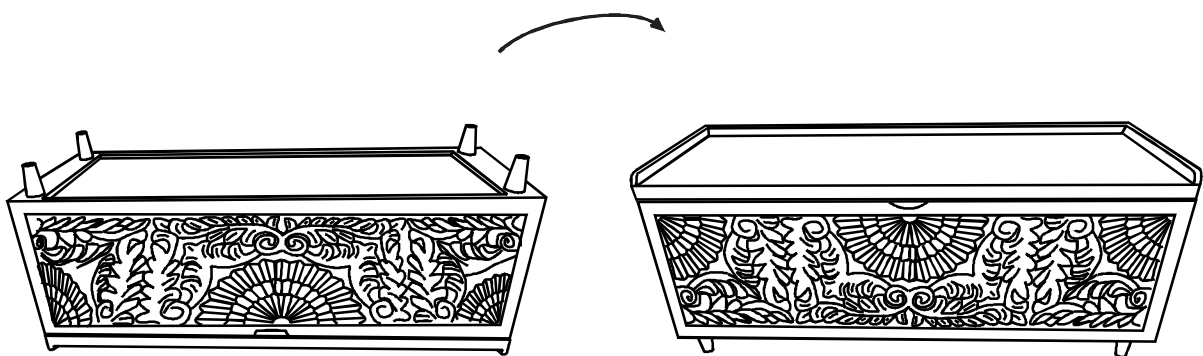
### STEP 2



**Step 1 :** Place bench (A) upside down as shown in the image above on a padded non-marring surface carefully.

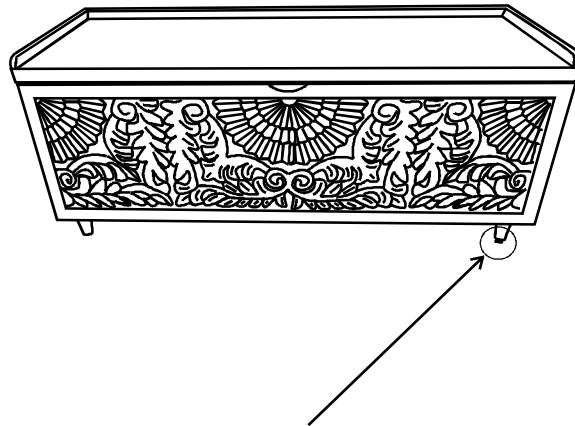
**Step 2 :** Align Leg (B) onto bench (A) as shown above in line drawing. Rotate leg (B) in clockwise direction until secured. Repeat the process to assemble other leg (B). Please ensure that all leg (B) are fully tightened to leg mounting post before turning the bench up on its feet in the correct position.

### STEP 3



**Step 3 :** Turn assembled bench upright and it is ready to use.

## STEP 4



NOTE : Levelers can be used for adjustment if needed.

Adjustable levelers on the bottom of each post can be used for additional leveling adjustments if needed. Assembly is now complete and the product is ready to use.

# Care & Maintenance

- Lift and place the cabinet do not push on the floor.
- Do not put hot items directly on furniture surface.
- Do not clean furniture with harsh cleansers or polish.
- Do not place furniture in direct sunlight.
- Do not place furniture near heating or cooling vents.
- Do not write on furniture without a padded barrier to protect the surface.
- Do not place furniture outside. For indoor use only.
- Not for commercial use. For residential use only.
- Do not use mild soap solution and damp cloth for removing stain.
- Dust and pick-up spills using a clean, non-colored, lint-free cloth.

Please contact one of our Product Specialists for assembly assistance or questions at 1-800-491-4958 or [ps@grandinroad.com](mailto:ps@grandinroad.com)  
Specialists are available weekdays from 8:00 AM - 8:00 PM EST or Saturdays 9:30 AM to 6:00 PM