






grandinroad[®]

178307 Avondale Swivel Bar Stool
178308 Avondale Swivel Counter Stool
Assembly Instructions

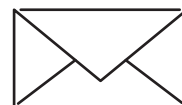
#3736SB/SC Assembly Instructions

WARNING: Failure to follow these directions and warnings can result in serious injury and/or product damage.

-  Do not exceed 225 pound (102 kg) weight limit on the stool.
-  Never stand on or use this stool. as a ladder.
-  Do not tip this stool. when seated.
-  If any parts become missing, damaged or worn, discontinue use until they are replaced with identical parts.
-  This item is intended for indoor use only.



CONTACT 1.800.491.4958
for assembly questions on
Weekdays // 8am-8pm EST
Saturday // 9:30am-6pm EST



EMAIL
service@grandinroad.com

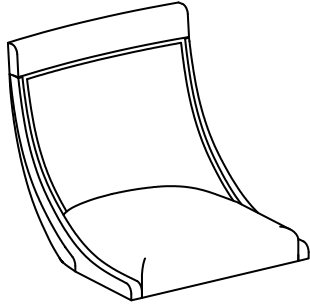
PARTS

Please confirm you have the necessary parts to complete the assembly.

COMPONENTS

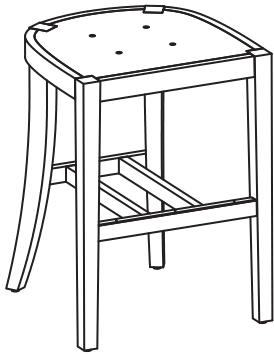
A

Stool Seat (x1)



B

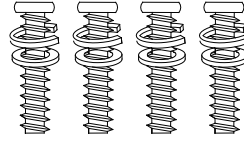
Stool Base (x1)



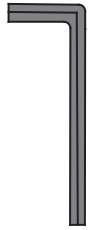
HARDWARE

D

Bolt w/ washers (x4)



TOOLS



ALLEN
WRENCH



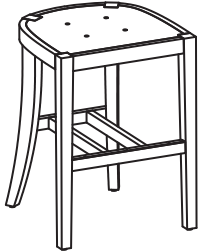
1.800.491.4958

ASSEMBLE

Avondale Swivel Stool



Stool Seat (x1)



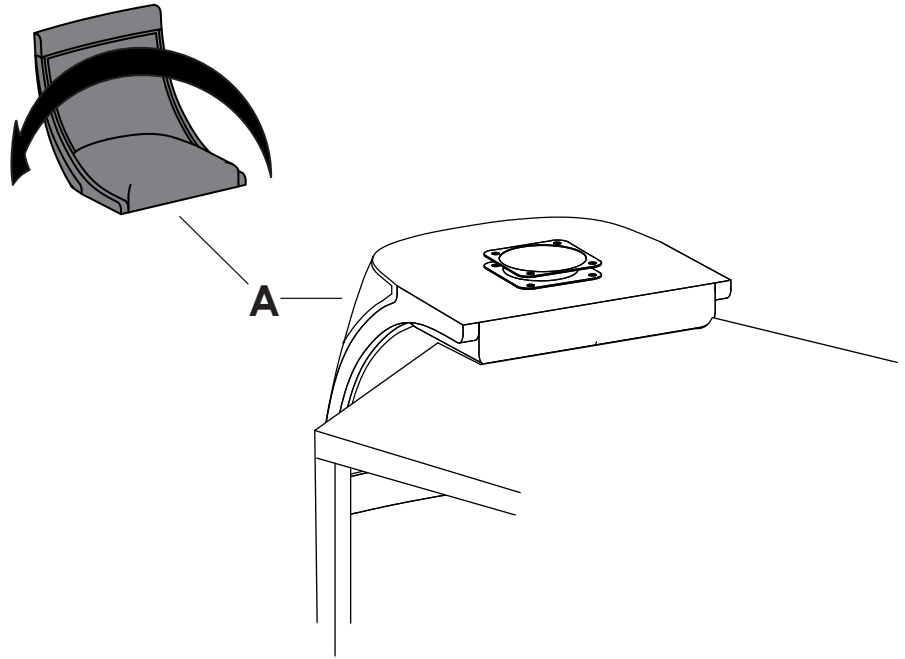
Stool Base (x1)



Bolt w/ washers (x4)

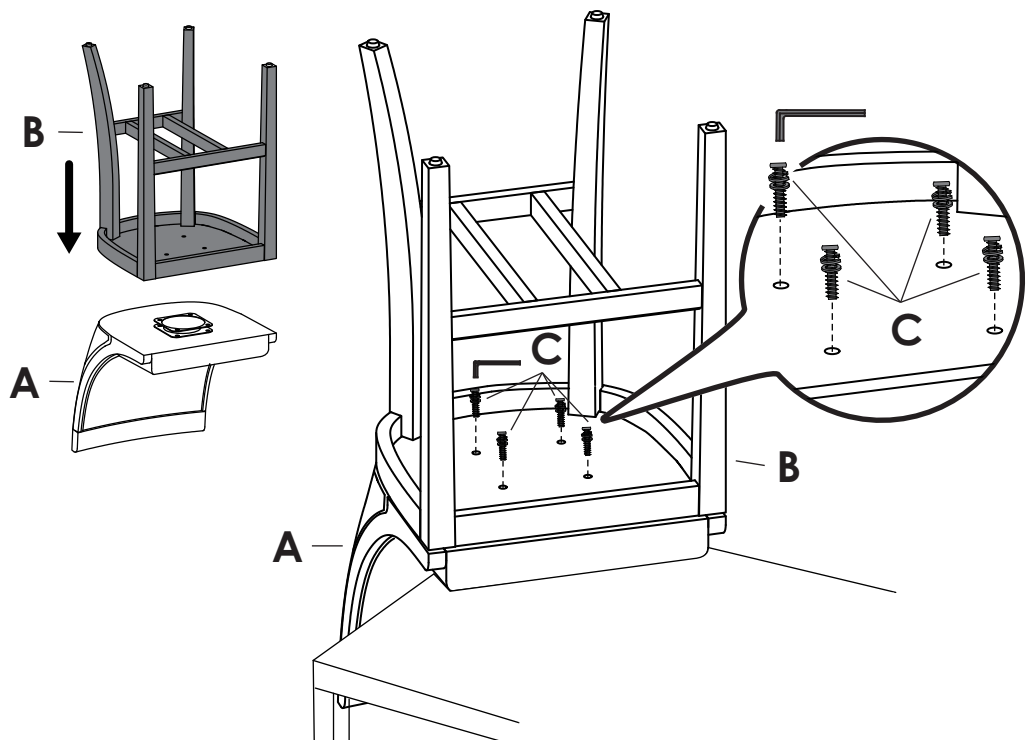
1

With help, **FLIP** the Stool Seat (A) and place on the corner of a table



2

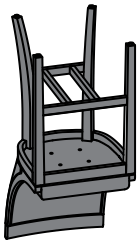
Attach Stool Base (B) to the Stool Seat (A), using 4x Bolts w/Washers (C). Tighten all Bolts, with an allen wrench, as shown. *Be sure to NOT Overtighten. Tighten Evenly.*



HELP?
1.800.491.4958

ASSEMBLE

Avondale Swivel Stool

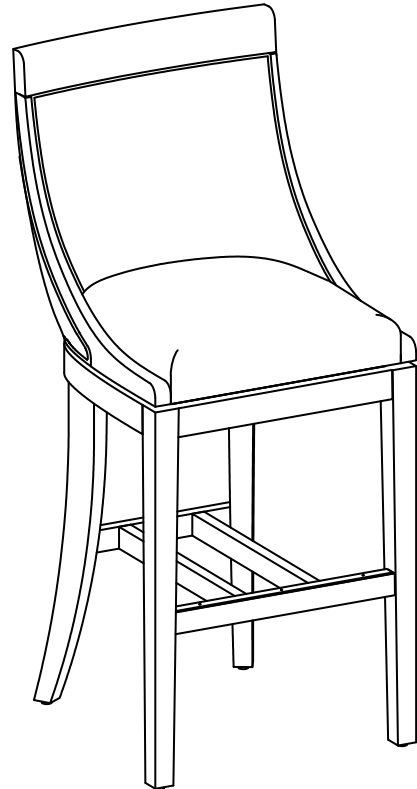
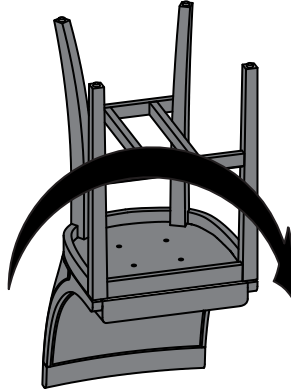


STOOL
ASSEMBLY

3

With help, **FLIP** the Stool Assembly onto its legs.

The assembly is now complete

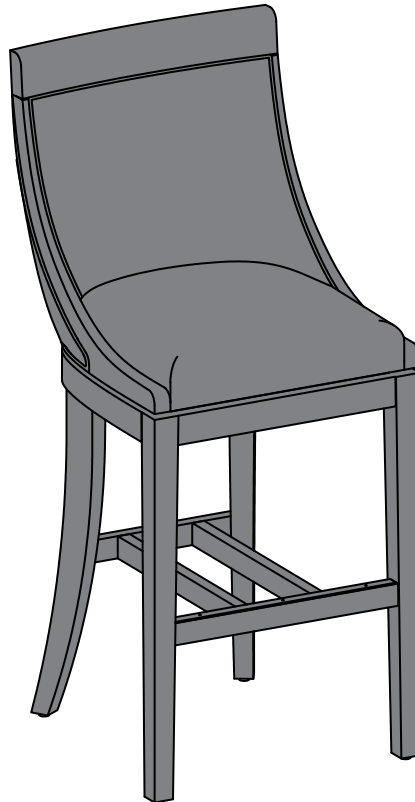


HELP?
1.800.491.4958

grandinroad[®]

178307 Avondale Swivel Bar Stool
178308 Avondale Swivel Counter Stool

Assembly Instructions



Cleaning & Care Instructions:

For regular care and cleaning, periodically dust all surfaces with a dry cloth to remove residual dust and prevent dirt from building up. Vacuum with upholstery brush as needed. Avoid wood polishes with silicone contents. No harsh cleaners or solvents should ever be used on the leather or fabric upholstery. For stubborn stains and spills, a lightly damp cloth with warm water should be blotted on the stain to lift and remove it. If this does not work, a mild dish soap and water solution should be mixed and then blotted to release the stain and then blot again with dry cloth. All wood finishes, fabric, and leathers will fade with time. Avoid direct sunlight. Avoid extreme changes in humidity. This can cause the wood components to warp and crack.

Please contact one of our Product Specialist for assembly assistance questions or questions at **1-800-491-4958**. Specialist are available weekdays 8:00 AM to 8:00 PM EST or Saturdays 9:30 AM to 6:00 PM.